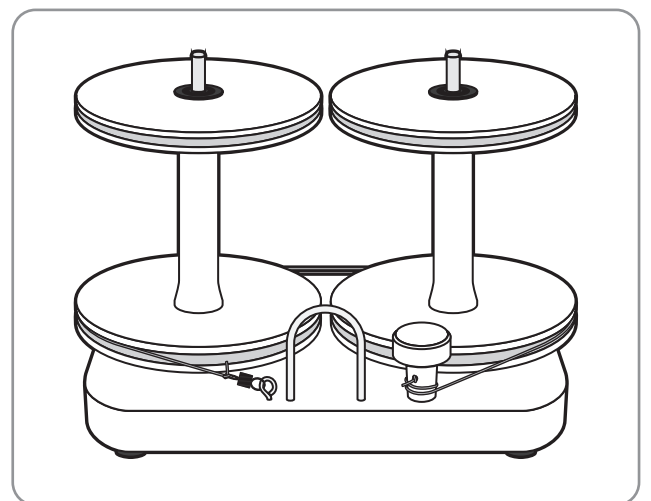
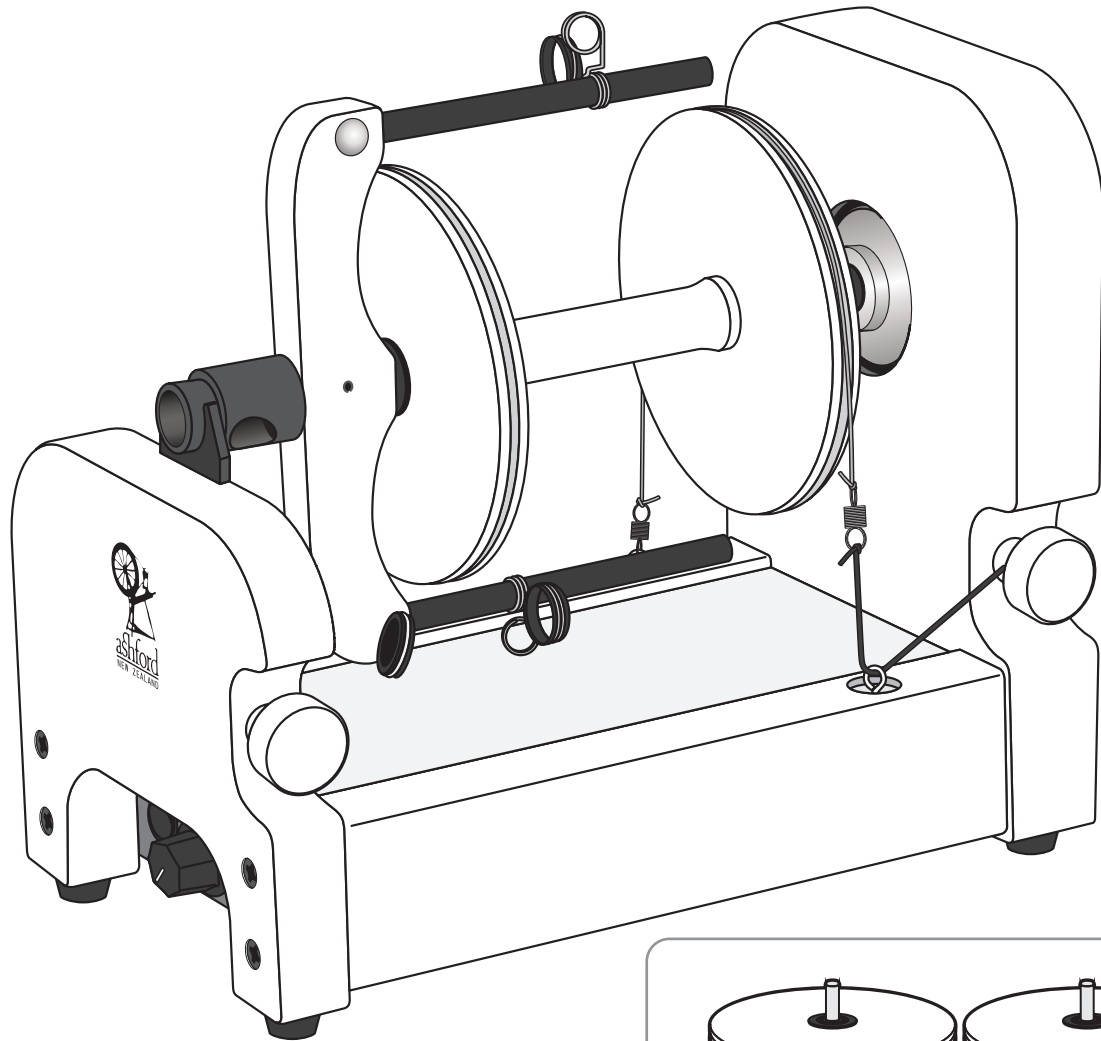


ashford

WHEELS & LOOMS
INSTRUCTIONS

e-Spinner 3



ESP3-020924

Ashford Handicrafts Limited
415 West Street, Ashburton 7700, New Zealand
Telephone 64 3 308 9087
sales@ashford.co.nz www.ashford.co.nz

Ashford Guarantee

Thank you for purchasing this Ashford product. In the unlikely event there is any fault in manufacture, please contact the dealer you purchased it from.
To validate the guarantee, please go to www.ashford.co.nz/product-registration
Please note, the use of aftermarket flyers or accessories may void the Ashford warranty.

ASSEMBLY INSTRUCTIONS FOR THE ASHFORD e-Spinner 3

Before commencing, please read these instructions completely, identify the parts and note the assembly sequence.

Finish

Your e-Spinner 3 has been lacquered prior to assembly. If desired Ashford Finishing Wax Polish may be applied to further enhance its appearance.

Tools Required



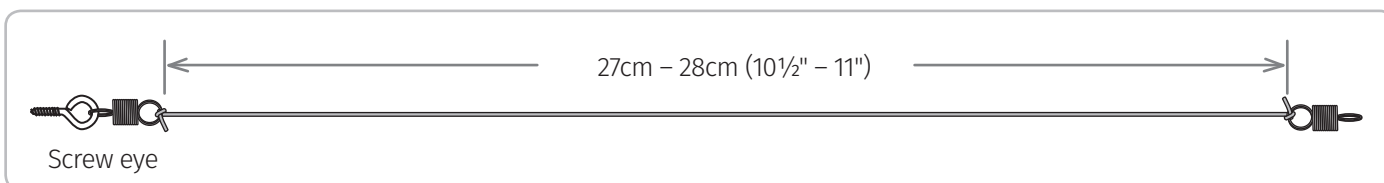
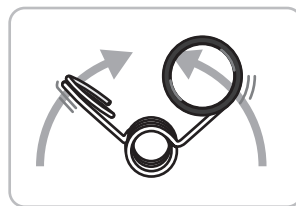
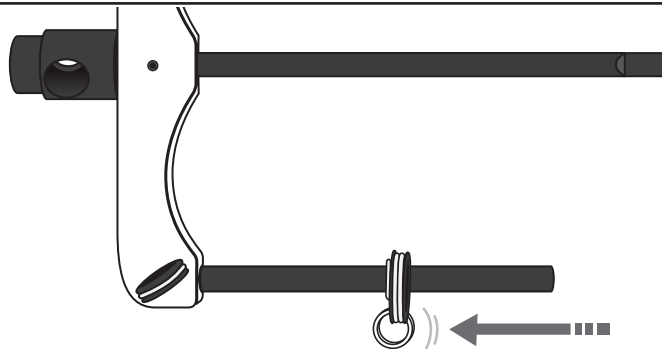
(small hammer)

Assembly

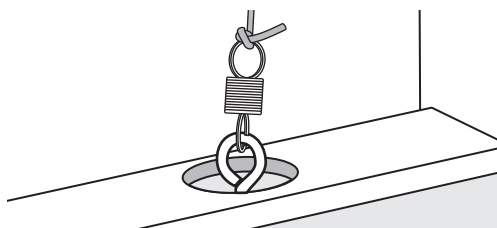
1. Squeeze and slide the stainless-steel yarn guides onto the flyer arms.

NOTE: when spinning at higher RPM it may be necessary to squeeze and rotate whichever yarn guide isn't being used to achieve perfect balance.

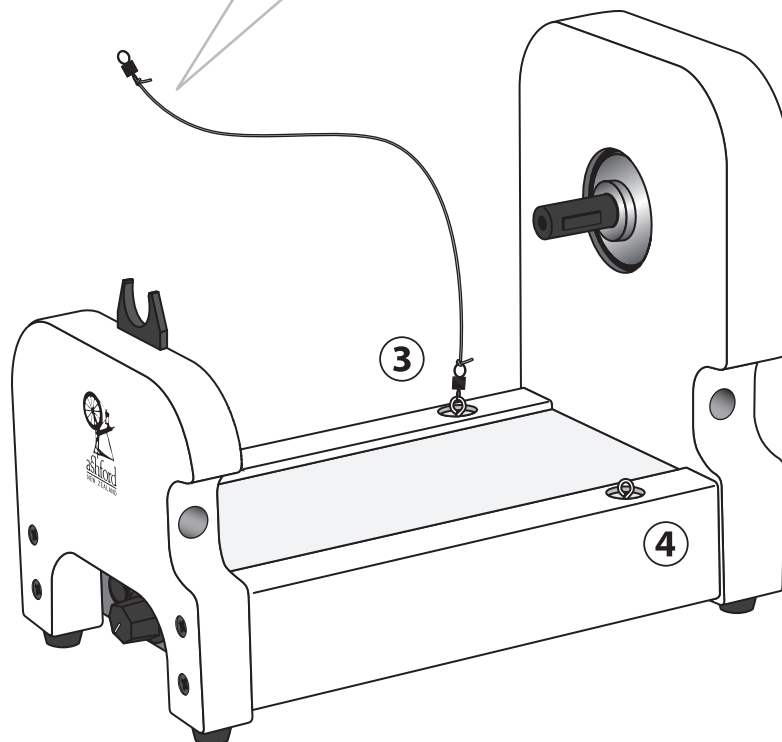
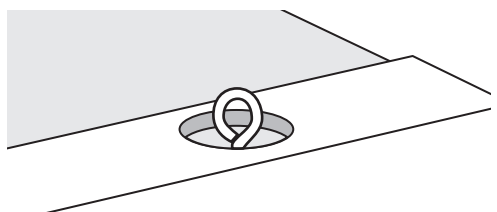
2. Cut the nylon brake band into 2 pieces, 35cm (14") for the brake band and 65cm (25½") for the lazy kate. Tie the 35cm (14") piece to one of the springs attached to a screw eye. Then tie the spring to the brake band allowing approx. 27cm – 28cm (10½ – 11") between the springs. See illustration. Thread the tail of the nylon brake band down the inside of the spring and trim off surplus.



3. Rub candle wax onto the end of the screw eye. Thread the screw eye with the tension spring and brake band attached, into the pilot hole in the left-hand side.

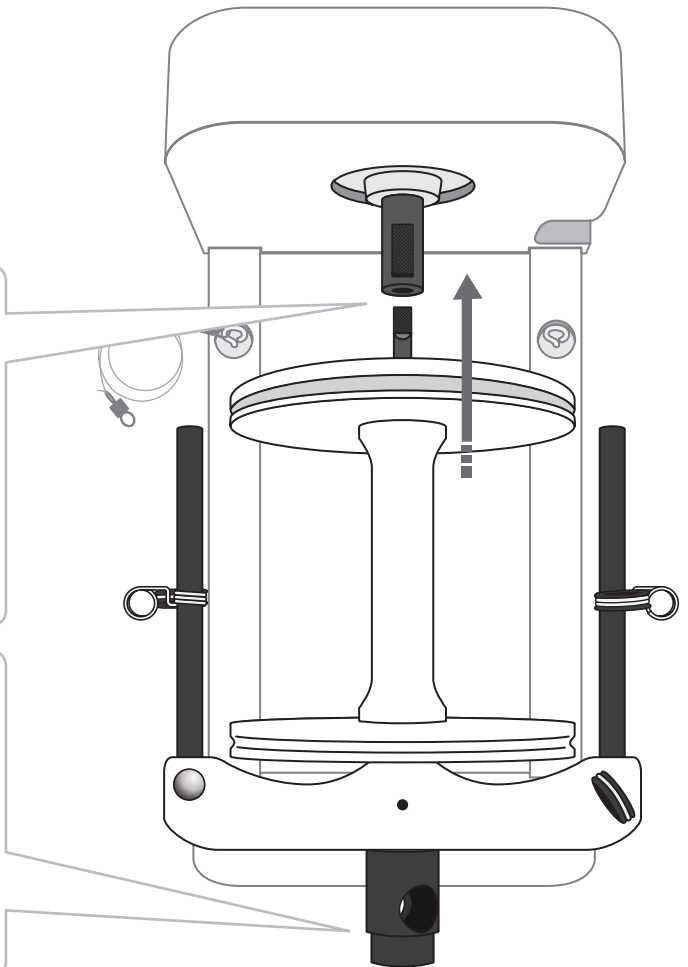
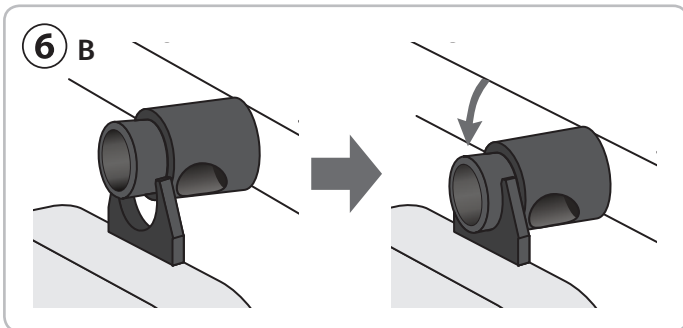
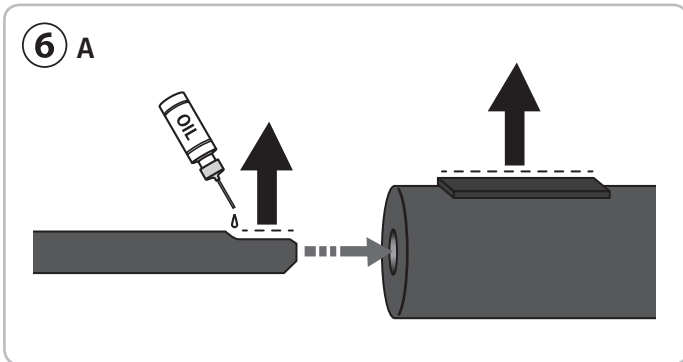


4. Rub candle wax onto the end of the screw eye. Thread the screw eye into the pilot hole in the right-hand side.

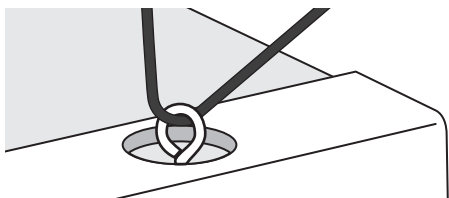


5. Apply a drop of oil to the flyer spindle and slide a bobbin on.

6. Apply a drop of oil to the end of the flyer shaft and feed it into the flexible motor drive. Note the flat on the shaft aligns with the raised line on the flexible drive. Snap the flyer down into the front flyer bearing. Apply a drop of oil to lubricate this bearing. Don't over oil.

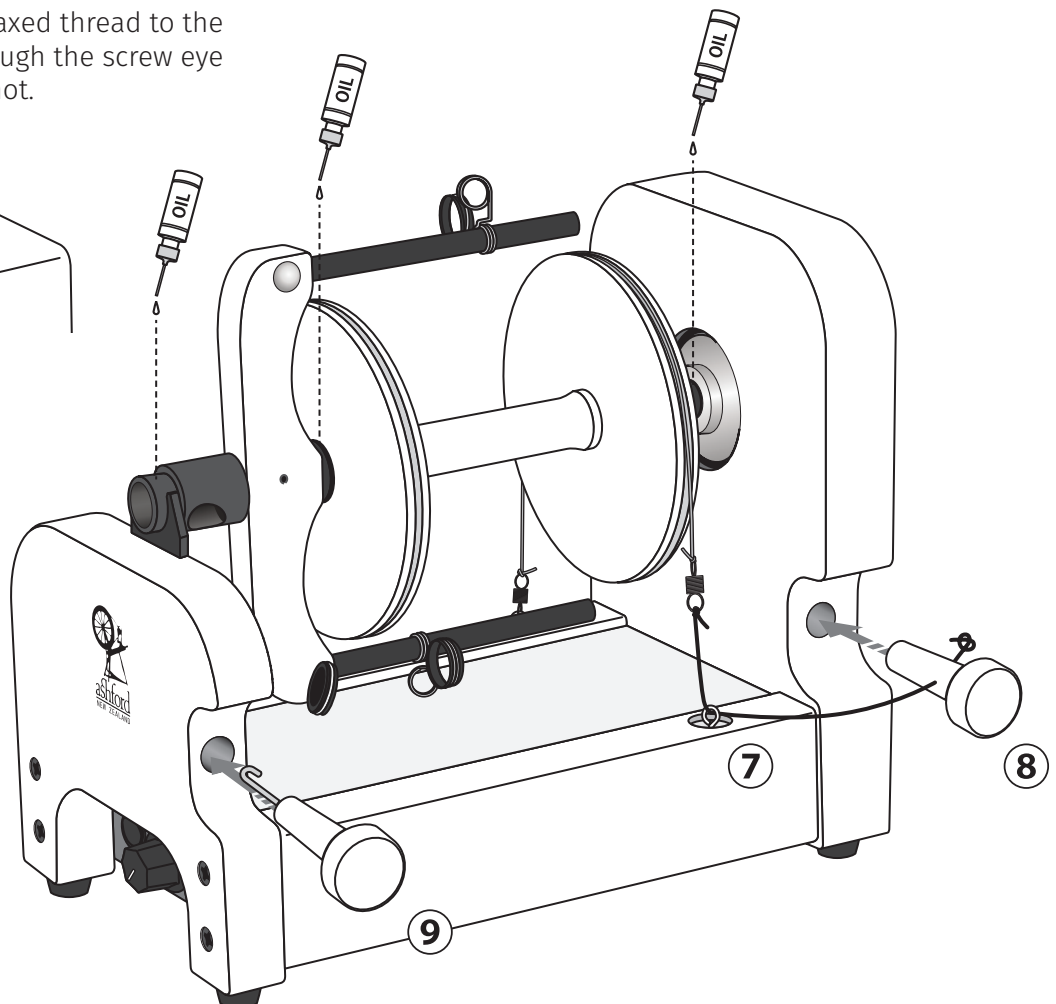


7. Tie one end of the black waxed thread to the end of the spring, thread through the screw eye and tension knob and tie a knot.



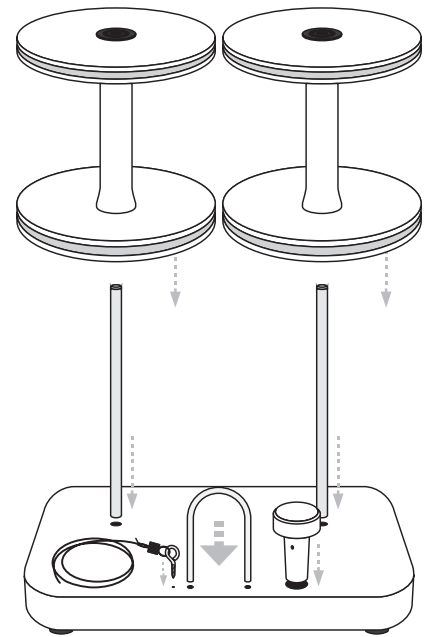
8. Place the nylon brake band around the bobbin whorl, place the tension knob in the tapered hole and tighten until the springs just start to extend. This is the normal amount of brake band tension required. Do not extend the springs more than 1½ times their own length.

9. Locate the threading hook into the tapered hole in the front.



Lazy kate

1. Tie the 65cm (25½") piece of nylon brake band to the other spring attached to a screw eye. Thread the tail of the nylon brake band down the inside of the spring and trim off surplus.
 2. Rub candle wax onto the end of the screw eye. Thread the screw eye with the spring and brake band attached into the pilot hole in the lazy kate base.
 3. **Gently** tap the 2 bobbin pins into the holes in the lazy kate base.
 4. Gently squeeze the ends of the yarn guide together and push it into the 2 holes in the lazy kate base.
 5. Position the 2 bobbins onto the bobbin pins.
 6. Thread the nylon brake band through the hole in the tension knob and tie a knot.
 7. Place the tension knob in the tapered hole, wrap the nylon brake band around the 2 bobbin whorls and tighten until the spring just starts to extend. This is the normal amount of tension required. Do not extend the spring more than 1½ times its own length.
- When plying, feed the 2 ends of your yarn through the yarn guide.

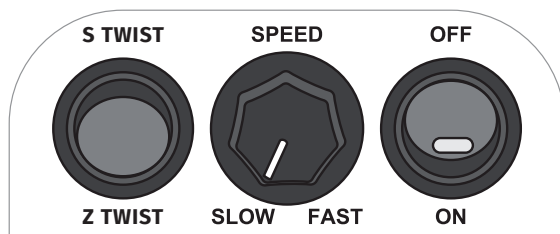


100-240V AC/DC Adapter

Plug the 100-240V AC/DC adapter into an appropriate wall socket and the plug into the 12V INPUT hole in the back of the e-Spinner 3.

Control Panel

Z TWIST/S TWIST (Clockwise/Anticlockwise)
Z TWIST is for spinning, S TWIST is for plying. Do not reverse the direction without stopping the motor with the ON/OFF switch.



SPEED
Start on SLOW and turn the dial clockwise to gradually increase the speed until the desired RPM is reached.

ON/OFF

The e-Spinner 3 is fitted with a soft start which results in the motor taking 2-3 seconds to reach the desired speed. This prevents the yarn being jerked out of your hands when starting. When you want to stop always switch the e-Spinner 3 OFF rather than using the speed control. Check the red LED light is off before you leave your e-Spinner 3.

LED Light

The Red LED light indicates the status of your e-Spinner 3.

Constant On

The e-Spinner 3 is running normally.

Flashing short on/short off

The e-Spinner 3 is on standby. The speed is set to ZERO or the foot switch is OFF.

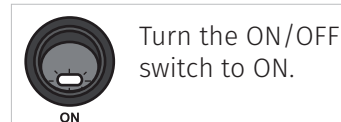
Flashing long on/short off

The AC/DC adapter is under load. This is OK, and you can't harm the e-Spinner 3. However, we recommend you apply a drop of oil to the flyer and bobbin bearings, reduce the brake band tension and reduce speed until the flashing stops.

Foot Switch

If you would like to START and STOP your e-Spinner 3 with the foot switch only, insert the foot switch plug into the FOOT SWITCH hole in the back of the e-Spinner 3. There are two operating modes.

Recommended Mode



Turn the ON/OFF switch to ON.

START



STOP



Lightly tap the foot switch to turn the e-Spinner 3 ON and lightly tap again to turn it OFF.

Alternate Mode



ON

(while your foot is on the foot switch)



OFF



The e-Spinner 3 will operate only while your foot is on the foot switch. Lift your foot off and the e-Spinner 3 will stop.

NOTE: Ensure the e-Spinner 3 is switched OFF before removing the foot switch plug.

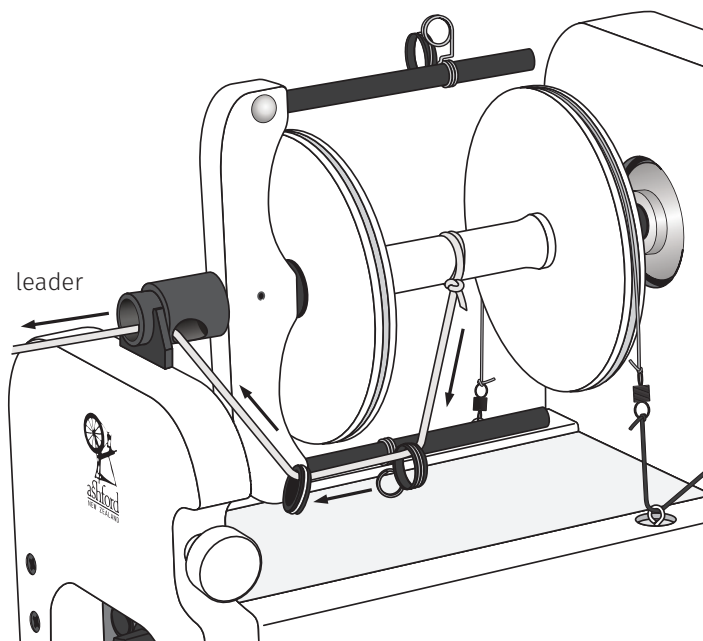


IMPORTANT: Avoid tripping over or yanking on the foot switch or AC/DC adapter cords as this can damage or break the plugs and void your warranty. Please remove both cords when transporting your e-Spinner 3.

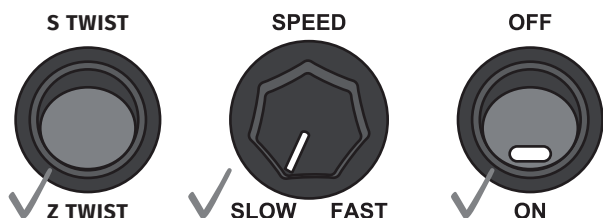
Spinning

IMPORTANT: Make sure the flyer has snapped fully into the front flyer bearing before starting spinning.

1. Tie a piece of yarn, called a leader, approx. 1metre (1 yard) long to the bobbin. Thread it through the flyer yarn guides and out through the orifice.



2. Have your prepared fibres ready to spin.
3. Adjust the tension knob until both springs are only just beginning to stretch.
4. Check the S TWIST/Z TWIST switch is on Z TWIST (down) and the SPEED control is on SLOW. Switch the ON/OFF switch to ON. Gradually turn the SPEED control clockwise until the flyer starts to turn slowly.



5. Allow the leader to start feeding in and commence drafting the prepared fibres onto it.

6. Adjust the SPEED control and tension knob to achieve a comfortable speed and take up. Use the ON/OFF switch or foot switch (rather than the speed control) to stop the motor when moving the position of the yarn guide. This will ensure you recommence at the same speed.
 - If your yarn breaks, draft a thicker yarn, increase the speed a little, reduce the brake tension and oil the bearings.
 - If your yarn kinks, is over twisted or won't feed on, reduce speed and increase the brake tension a little.

Changing the bobbin

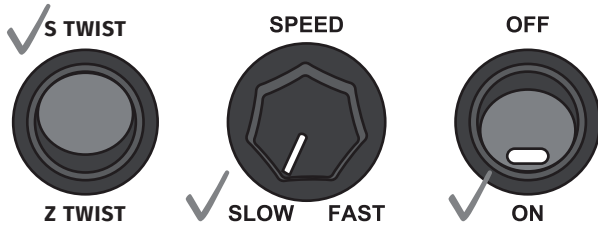
- Turn the motor off using the ON/OFF switch or foot switch. Use 2 hands, one either side of the front bearing to lift and snap the flyer out of the bearing. Pull the flyer towards you out of the flexible drive.
- Change the bobbin, then hook the brake band back over the flyer whorl, slide the flyer back into the flexible drive and snap the flyer down into the front flyer bearing.

Lubrication

- We recommend Ashford Spinning Wheel Oil be regularly applied to the front flyer and bobbin bearings.
- The bobbin and flyer must revolve freely and independently of each other.
- A drop of Vaseline or oil may be applied to the flexible motor drive to make bobbin changing easier and to minimize noise.
- The ball bearings in the motors may be noisy for the first 5-10 minutes as they "run-in" and the grease is dissipated evenly.

Plying

1. Thread the leader through the flyer yarn guides and out through the orifice. Locate your 2 bobbins of spun yarn onto the lazy kate pins, thread the 2 strands of yarn through the yarn guide and tie them to the leader.
2. Check the S TWIST/Z TWIST switch is on S TWIST (up) and the SPEED control is on SLOW. Switch the ON/OFF switch to ON. Gradually turn the SPEED control clockwise until the flyer starts to turn slowly.



3. Allow the leader and your spun yarn to start feeding in. Use the least amount of brake band tension possible.

Orifice Reducer Bush

- The nylon reducer bush may be inserted into the flyer orifice to reduce the diameter from 15mm (5/8") to 10mm (3/8").
- This is beneficial when spinning finer yarns as it will help prevent the yarn vibrating. By drafting the yarn at about a 45 degree angle to the orifice the vibration will almost be eliminated.
- When spinning or plying thicker yarns, remove the reducer bush.
- When not using the reducer bush store it in the hole in the back.

Safety

1. Take care to ensure children and pets are always well clear of the e-Spinner when starting or while it is in use.
2. Always unplug the AC/DC adapter from the wall when not in use.
3. Never leave the e-Spinner 3 without switching it OFF at the ON/OFF switch.
4. Ensure the e-Spinner 3 is switched off before removing the foot switch plug.
5. Do not use your e-Spinner 3 in damp or wet conditions.
6. Never open the electronic compartment without first disconnecting it from the power supply.
7. Use the padded carry bag to protect your e-Spinner 3, Lazy kate, AC/DC adapter and foot switch when not in use or travelling.
8. Please note, the use of aftermarket flyers or accessories may void the Ashford warranty.

* For further spinning and plying information refer to "**The Ashford Book of Hand Spinning**" by Jo Reeve, a 116 page book full of ideas and inspirations for spinners or visit our website www.ashford.co.nz

Accessories - Available from your local Ashford Dealer.

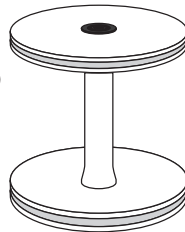
12V Car Cord

so you can spin away from home in your car, caravan, RV, boat or using a battery pack.



Bobbins

Ashford Jumbo single drive bobbins.



More Information



Facebook

Join us on facebook [ashford.wheels.ooms](https://www.facebook.com/ashford.wheels.ooms)



How-to videos on YouTube

Watch our how-to videos on YouTube @AshfordNz

ashford
WHEELS & LOOMS

Ashford Handicrafts Limited
415 West Street, Ashburton 7700, New Zealand
Telephone 64 3 308 9087
sales@ashford.co.nz www.ashford.co.nz