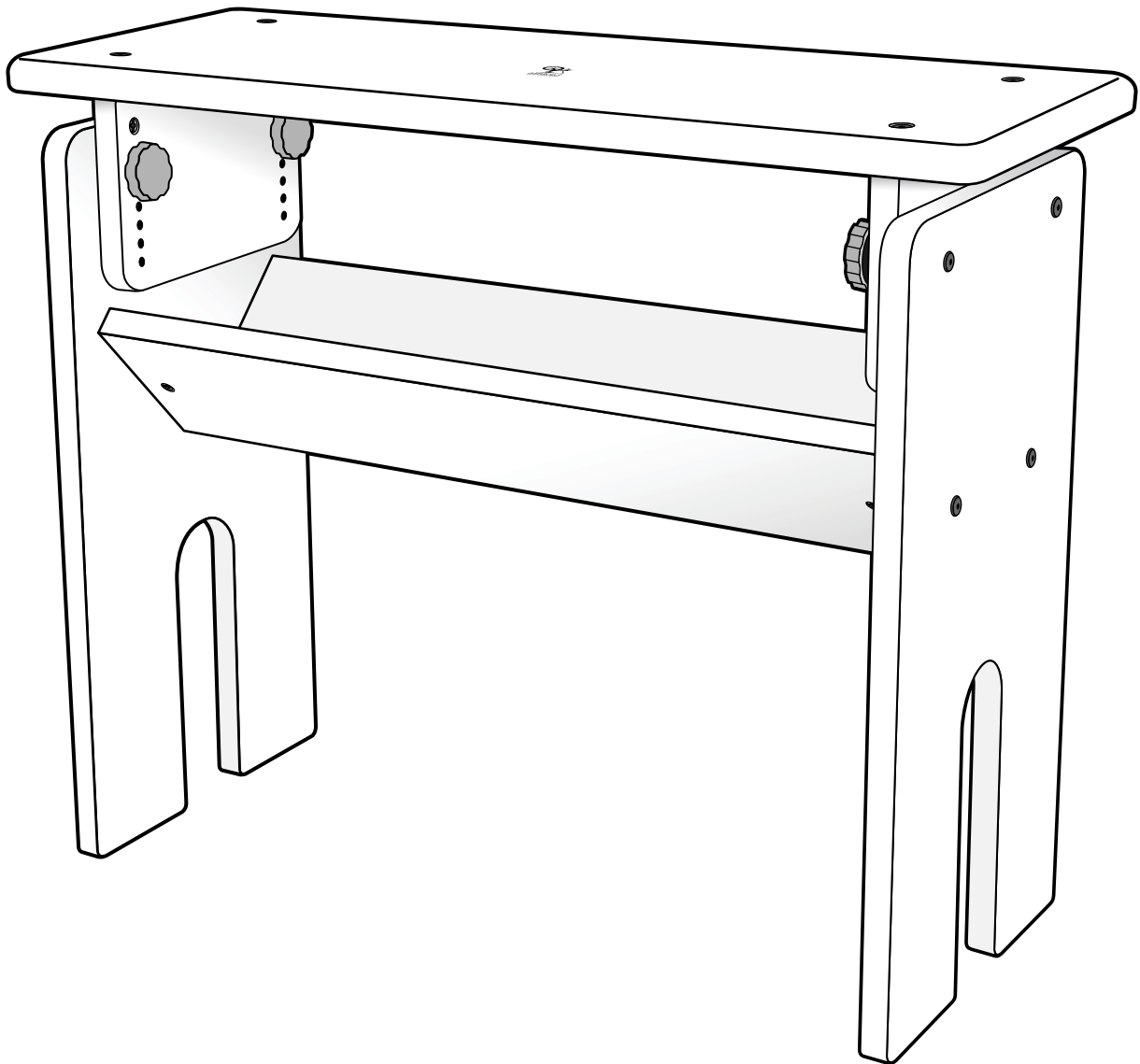


## Hobby Bench 2

With 7 height positions

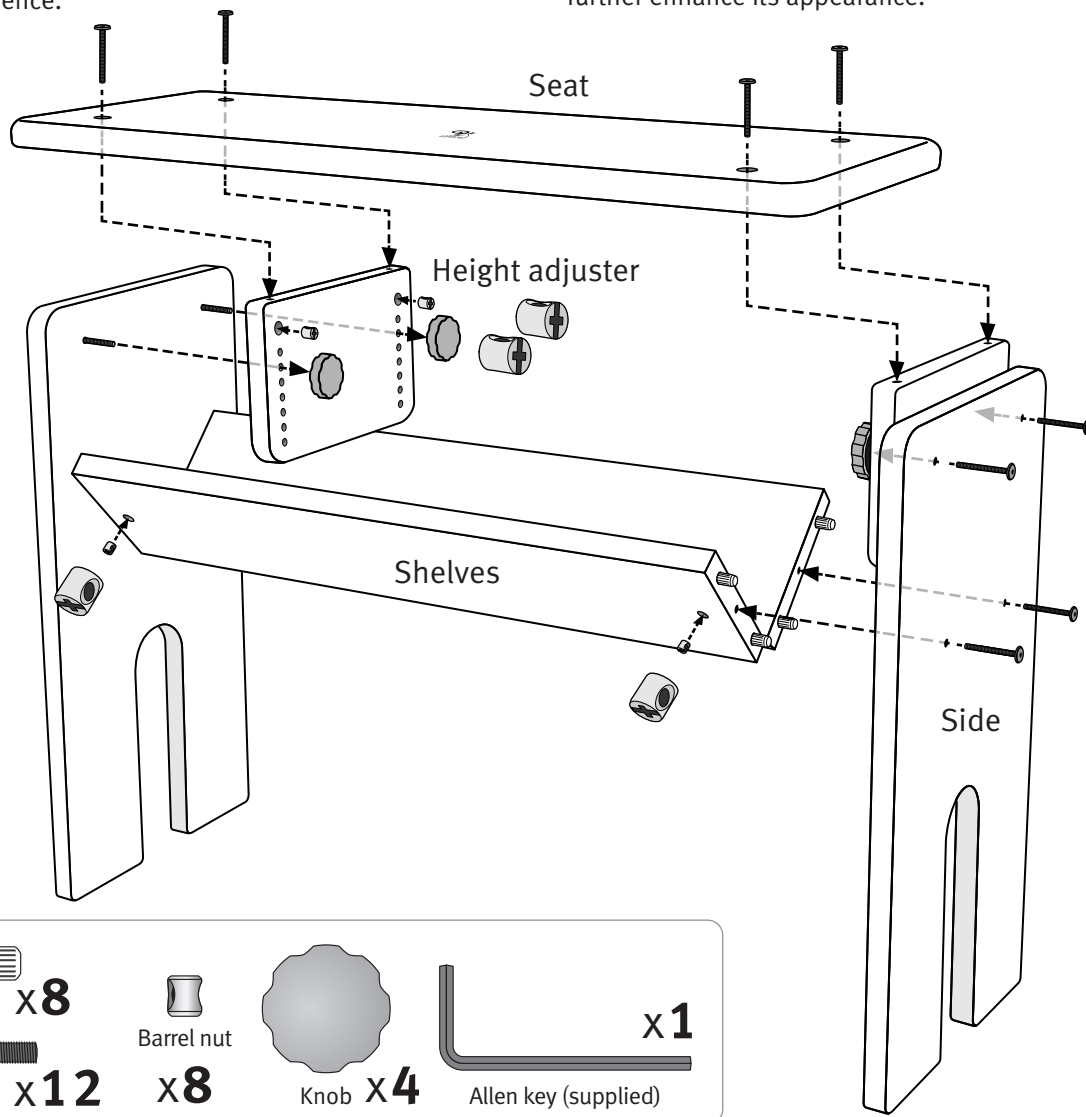


HB31082018V5

## Hobby Bench Assembly Instructions

**Tools required:** Screwdriver, Allen key (supplied), hammer.  
Before commencing assembly, please read the instructions completely, identify all the parts and hardware and note the assembly sequence.

**Finish:** Your Hobby Bench is made from beautiful New Zealand silver beech timber and has been lacquered for your convenience. If desired Ashford Wax Finish may be applied to further enhance its appearance.



1. Insert 2 dowels into each end of the 2 shelves. Use a hammer to gently tap the dowels to the bottom of each hole.
2. Place one side flat on the floor so that the dowel holes are facing upwards. Locate the 2 shelves, with the barrel nut holes facing the feet, into the corresponding holes in the side.
3. Place the other side on top of the shelves with the dowels located into the corresponding holes.
4. Turn the Hobby Bench upside down and secure the shelves to the sides with 4 bolt and barrel nuts.
5. Place the Hobby Bench on its feet. Attach the 2 height adjusters with the holes for the barrel nuts facing in, to the sides using 2 bolts and knobs each. Choose your seat height from the schedule at the end of these instructions.
6. Locate the 4 barrel nuts into the holes in the height adjusters.
7. Place the seat on top of the height adjusters and secure with 4 bolts.

8. Once you are comfortable with the seat height and angle, and the Hobby Bench sits flat on the floor, firmly tighten all bolts with the Allen key supplied.

Note. The Hobby Bench can be adjusted to your desired height and can be tilted by lifting the back of the seat one hole higher than the front. You may find it easier to adjust the seat height while the bench is on its side.

The seat height has 7 positions with 12mm (1/2") increments.  
545, 557, 570, 582, 595, 607, 620 mm (21 1/2", 22", 22 1/2", 23", 23 1/2", 24", 24 1/2")

Use your new Hobby Bench for comfortable weaving at your Ashford Rigid Heddle, Table or Jack Loom.

Project - Weave your own fabric, then pad and upholster your Hobby Bench to personalise it