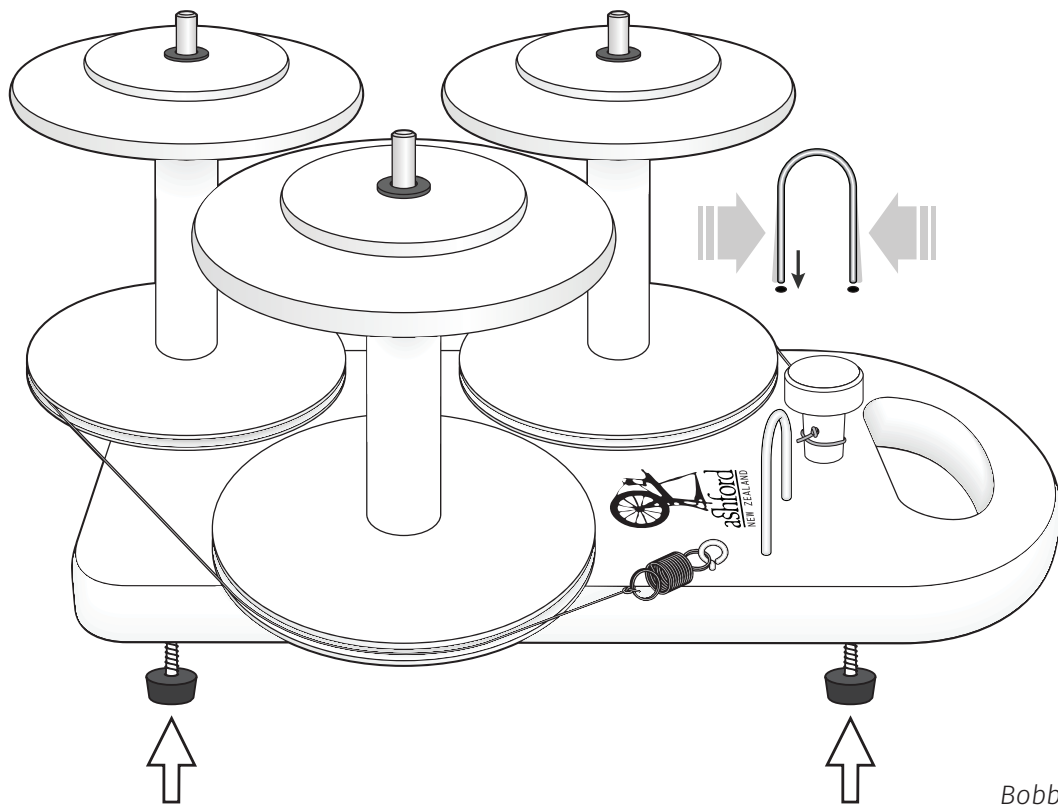


TENSIONED LAZY KATE

For single and double drive, standard and jumbo bobbins

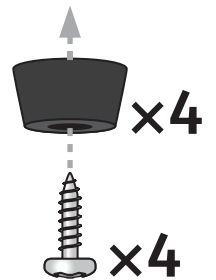


Bobbins not included

No more bobbins over-winding when plying at speed! Control your bobbins when plying with the adjustable brake tension. Convenient carry handle.

Assembly

1. Attach the four rubber feet to the base of the lazy kate with the small screws.
2. Thread the screw eye (with the tension spring attached) into the hole.
3. Place the steel rods in the three holes.
4. Squeeze the metal yarn guide and insert into holes.
5. Tie one end of the nylon brake band to the tension spring and thread the other end through the hole in the wooden tension knob and tie a knot. Insert the tension knob into the hole.



Your Tensioned Lazy Kate is ready to use.

Here's how

1. Place bobbins onto the rods.
2. Place the nylon brake band in the bottom groove in the bobbin ends.
3. Adjust the tension of the brake band by twisting the tension knob.
4. Take the yarn from each bobbin (two or three), thread through the metal yarn guide and attach to an empty bobbin on your spinning wheel.
5. You can ply with the Tensioned Lazy Kate on the floor or on a table beside you.

Happy Spinning!

TLK060324