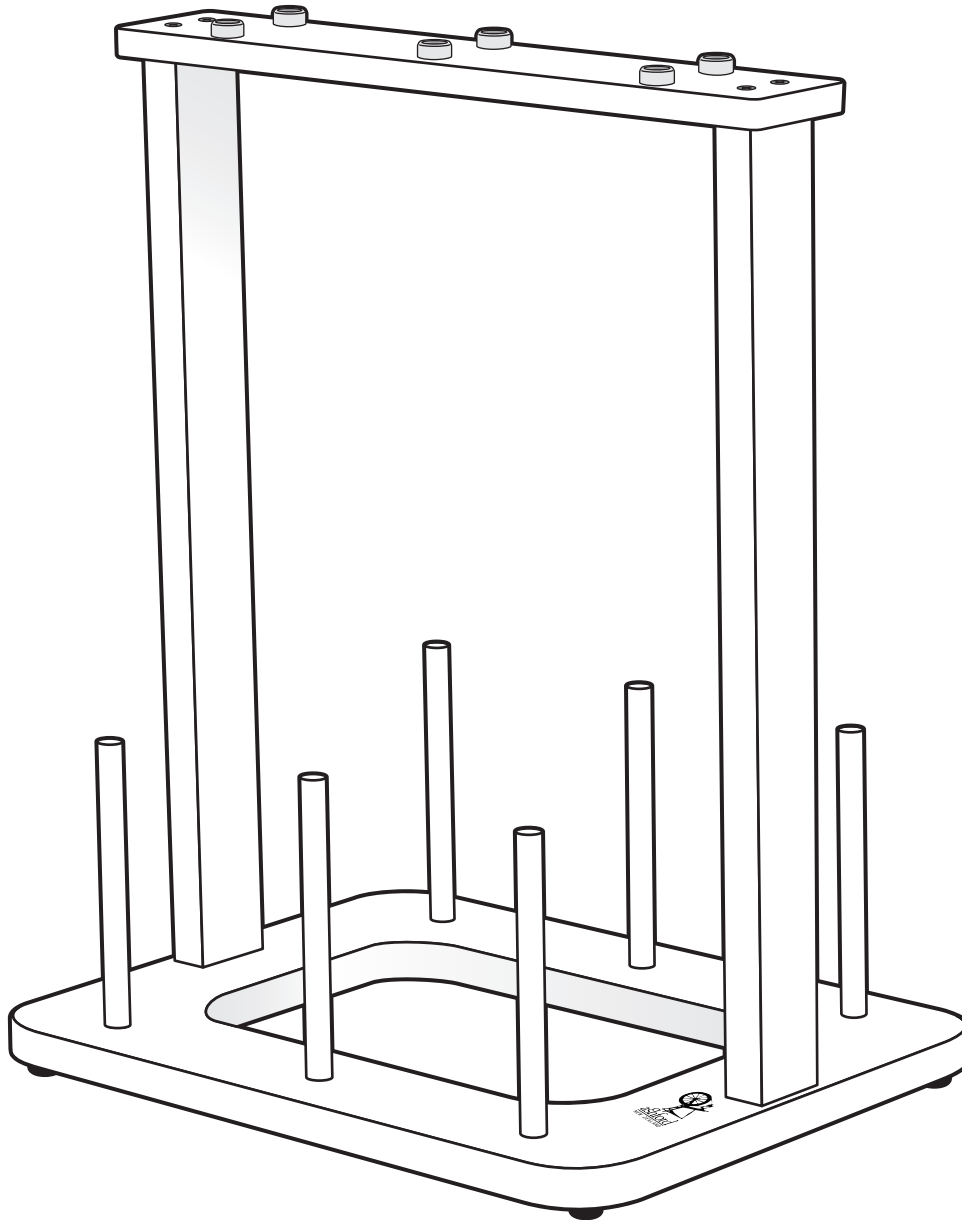


## YARN STAND 6



YS030424

### Ashford Guarantee

Thank you for purchasing this Ashford product. In the unlikely event there is any fault in manufacture, please contact the dealer you purchased it from. To validate the guarantee, please go to [www.ashford.co.nz/product-registration](http://www.ashford.co.nz/product-registration)

# ASSEMBLY INSTRUCTIONS FOR THE ASHFORD YARN STAND 6

Before commencing, please read these instructions completely, identify the parts and note the assembly sequence.

## Finish

Your Yarn Stand 6 has been factory lacquered. If desired Ashford Finishing Wax Polish may be applied to further enhance its appearance.

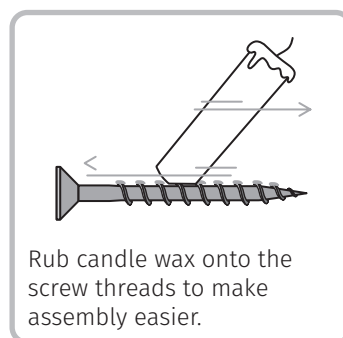
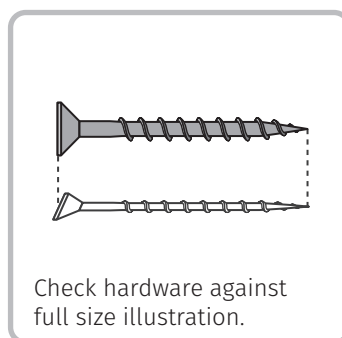
## Tools Required



## Hardware List

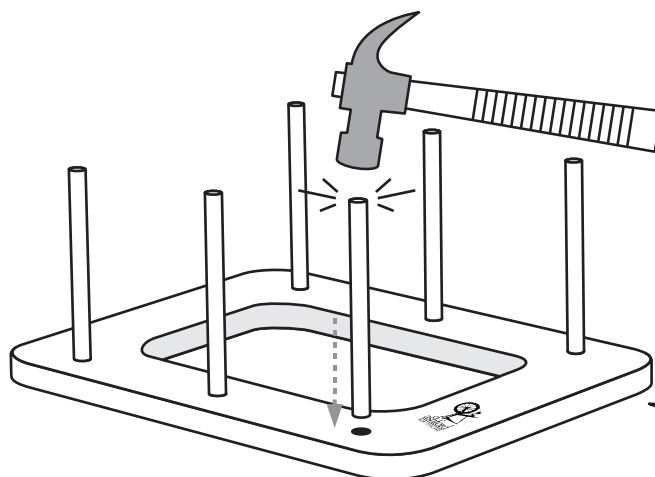


## Hints

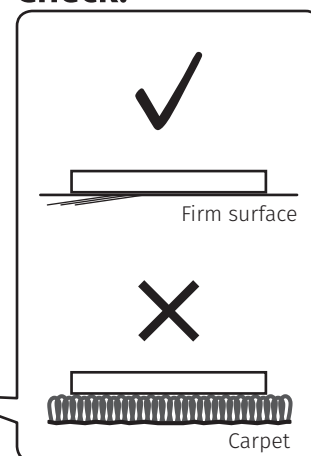


**1**

With the base on a firm surface (not carpet), gently tap the 6 wooden dowels into the base.

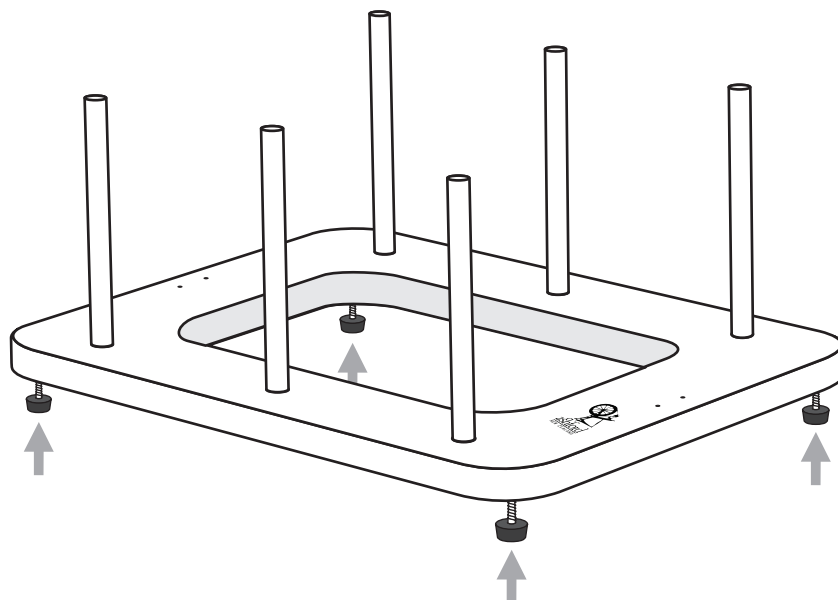
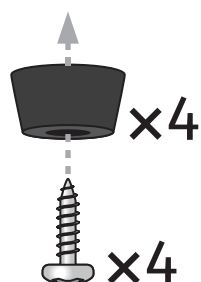


## Check!



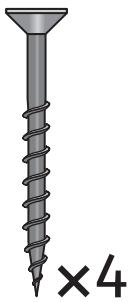
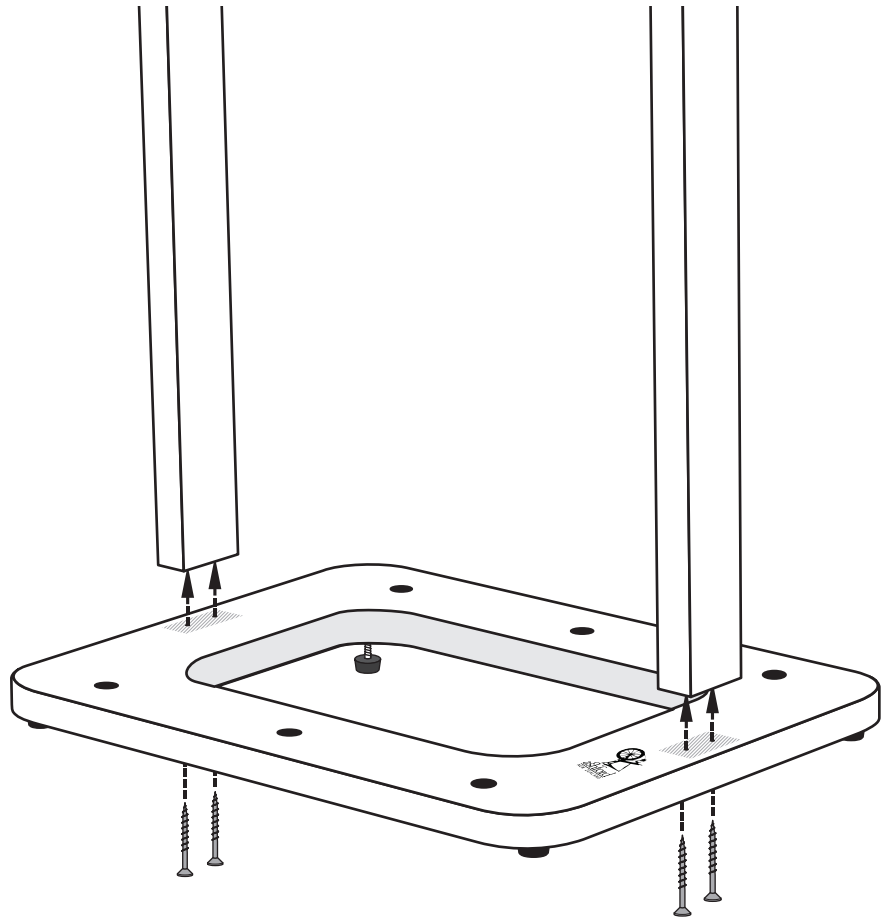
**2**

Attach the 4 rubber feet to the underside of the base with 12mm (1/2") screws. This may be easier if the corner of the base is sitting on the edge of a table or bench.



3

Attach the 2 uprights to the base with 38mm (1½") screws.

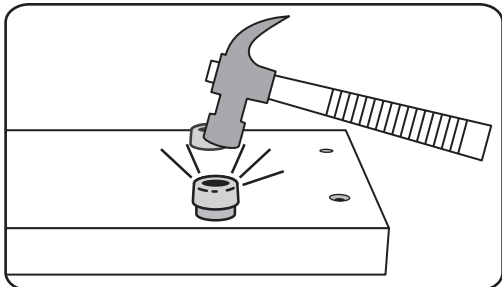


4

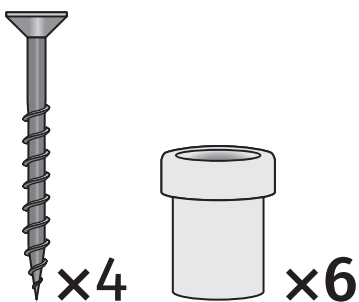
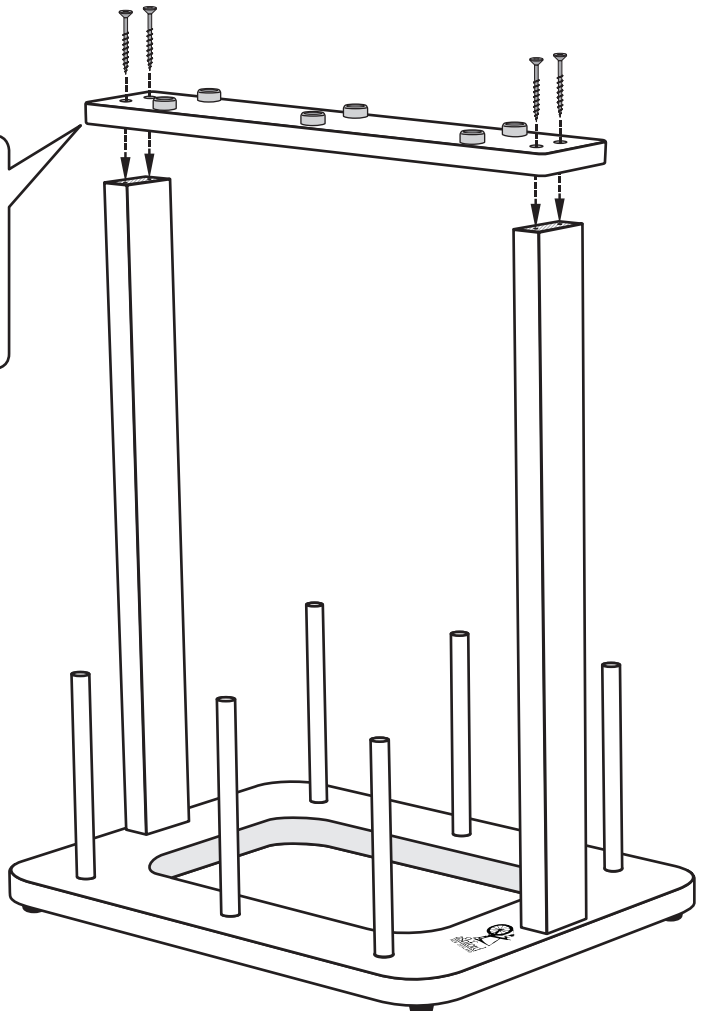
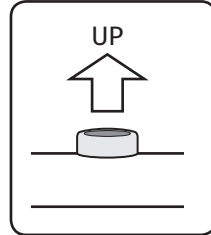
Tap the 6 nylon cord guides into the top rail.

Attach the top rail to the uprights with 38mm (1½") screws. Note the nylon yarn guides face up.

Check!



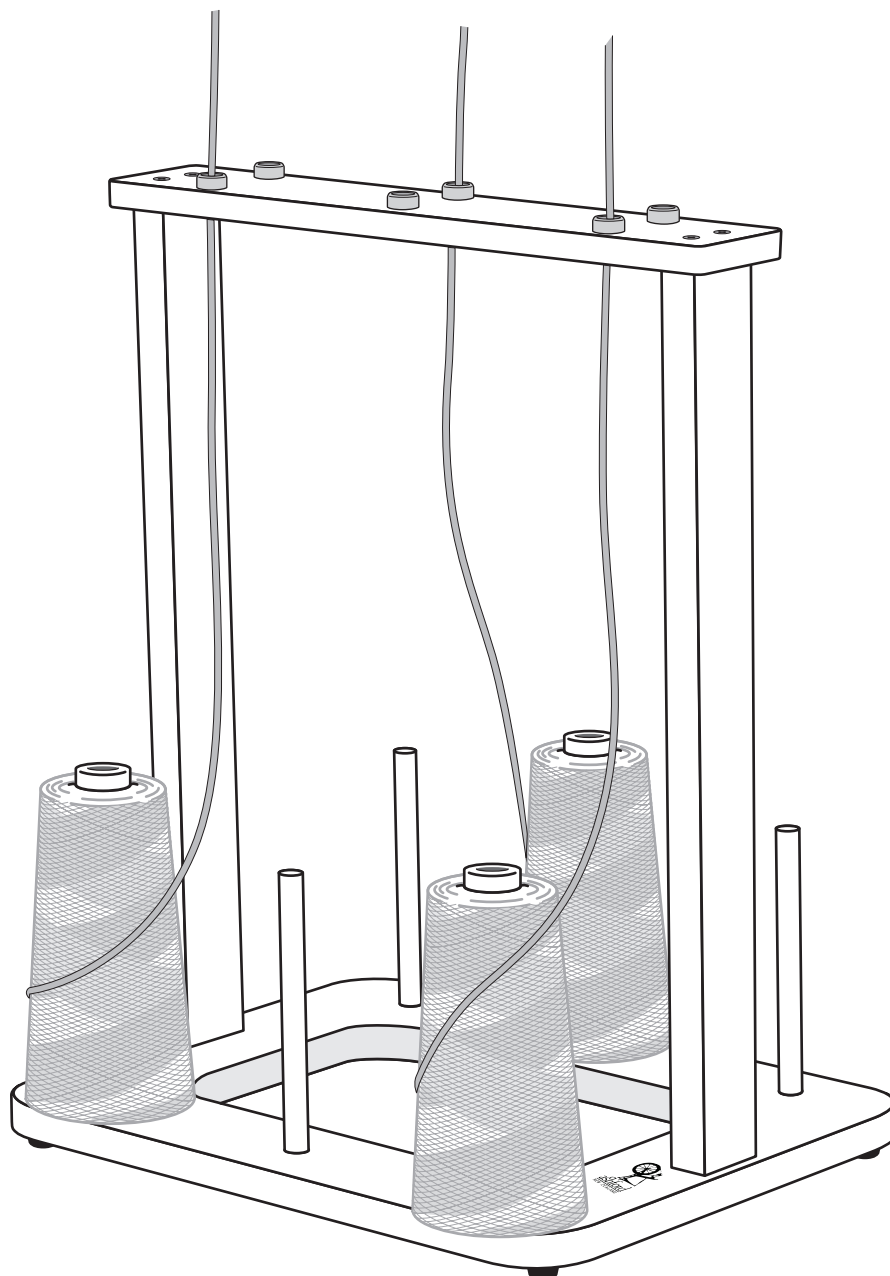
Check!



## How to use

Sit your cones of yarn on the wooden pegs.

Thread your yarn up through the yarn guides.



## More Information



### How-to videos on You Tube

Watch our how-to videos on You Tube.  
[@AshfordNZ](#)



### Blog

For inspirational articles, patterns and projects. Subscribe for free to the Ashford Blog [www.ashford.co.nz/blog](http://www.ashford.co.nz/blog)



### Facebook

Join us on facebook [ashford.wheels.ooms](https://www.facebook.com/ashford.wheels.ooms)